

| (1)<br>SMR<br>Code  | (2)<br>Federal<br>Stock<br>Number | (3)<br>Description  | (4)<br>Unit<br>of<br>Meas. | (5)<br>Qty<br>In<br>Unit | (6)<br>15-day<br>Maintenance<br>alw | (7)<br>Organizational<br>Illustration | (a)<br>Figure<br>No. | (b)<br>Item<br>No. |
|---|-----------------------------------|---|----------------------------|--------------------------|-------------------------------------|---------------------------------------|----------------------|--------------------|
| <p><b>Current part is item (34) on diagram. Available at <a href="http://www.oshkoshequipment.com">www.oshkoshequipment.com</a></b></p> |                                   |   |                            |                          |                                     |                                       |                      |                    |
|   |                                   | Reference number & mfg. code  |                            | Usable on code           | (a) 1-5                             | (b) 6-20                              | (c) 21-50            | (d) 51-100         |
|   |                                   | 1209-AIR COMPRESSOR ASSEMBLY<br>-CONTINUED  |                            |                          |                                     |                                       |                      |                    |
| PAOZZ   | 5307-912-5635                     | STUD,PLAIN: COMPRESSOR SUPPORT<br>(USED WITH IRON SUPPORT)<br>10935517 (19207)  | EA                         | 4                        | *                                   | *                                     | *                    | *                  |
| XAOZZ   |                                   | SUPPORT: AIR COMPRESSOR<br>10889934 (19207)   |                            | 1                        |                                     |                                       |                      |                    |
| PAOZZ   | 2815-455-9497                     | BRACKET: TACHOMETER CABLE CLIP<br>10896327 (19207)  | EA                         | 1                        | *                                   | *                                     | *                    | *                  |
| PAOZZ   | 2530-064-6667                     | GASKET: COMPRESSOR TO SUPPORT<br>7748825 (19207)  | EA                         | 1                        | *                                   | *                                     | *                    | *                  |
| PAOZZ   | 2530-071-5328                     | GASKET SET: AIR COMPRESSOR<br>5702691 (19207)<br>CONSISTING OF:<br>1-GASKET:<br>11641987 (19207)<br>1-GASKET:<br>10889933 (19207)<br>1-GASKET:<br>7748825 (19207) | EA                         | 1                        | *                                   | *                                     | *                    | *                  |
|   |                                   |   |                            |                          |                                     |                                       |                      | SET                |
|   |                                   |   |                            |                          |                                     |                                       |                      | 3                  |
|   |                                   |   |                            |                          |                                     |                                       |                      | 26                 |
|   |                                   |   |                            |                          |                                     |                                       |                      | 34                 |
|   |                                   | 1211-TRAILER BRAKE CONNECTIONS<br>AND CONTROLS  |                            |                          |                                     |                                       |                      |                    |
| PAOZZ   | 4730-069-1186                     | ADAPTER,STRAIGHT,PIPE:<br>MS39179-5 (96906)   | EA                         | 2                        | *                                   | *                                     | *                    | *                  |
| PAOZZ   | 4730-419-9424                     | NIPPLE,PIPE: ADAPTER<br>8376311 (19207)   | EA                         | 2                        | *                                   | *                                     | *                    | *                  |
| PAOZZ   | 5305-267-8977                     | SCREW,CAP,HEXAGON HEAD: 1/4-28UNF-2A X 1 1/4<br>IN. ,<br>MS90726-10 (96906)   | EA                         | 4                        | *                                   | *                                     | *                    | *                  |
| PAOZZ   | 5340-177-8053                     | BRACKET,ANGLE:<br>10883330 (19207)  | EA                         | 2                        | *                                   | *                                     | *                    | *                  |
| PAOZZ   | 2530-270-3878                     | DUMMY COUPLING,AUTOMOTIVE: AIR BRAKE HOSE<br>7014965 (19207)  | EA                         | 2                        | *                                   | *                                     | *                    | *                  |
| PAOZZ   | 2530-740-9445                     | DUMMY COUPLING, AUTOMOTIVE: AIR BRAKE HOSE<br>FRONT SERVICE TRAILER CONNECTION<br>7409445 (19207)   | EA                         | 2                        | *                                   | *                                     | *                    | *                  |
| PAOZZ   | 4730-196-1504                     | NIPPLE, PIPE:<br>192075 (19207)   | EA                         | 2                        | *                                   | *                                     | *                    | *                  |
| PAOZZ   | 2530-179-7123                     | BRACKET: COUPLING, AIR BRAKE LEFT SIDE<br>10883328 (19207)  | EA                         | 2                        | *                                   | *                                     | *                    | *                  |

TA 009276

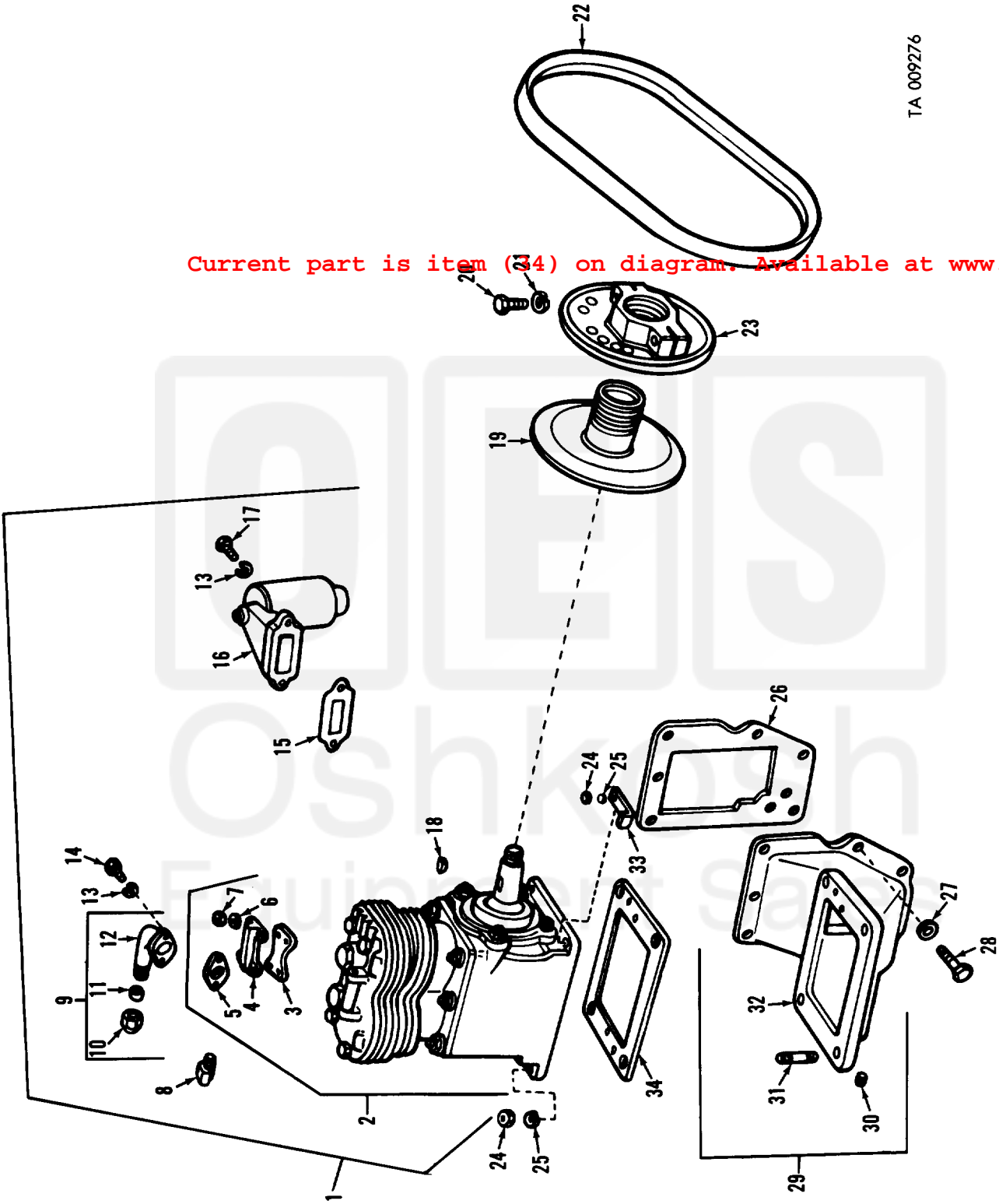


Figure 117. Air compressor and related parts—multifuel.